

## Features

- Handshower holder pivots and rotates to position handshower at desired angle
- For use with a handshower and hose (sold separately)
- Includes check valve for backflow prevention
- Includes supply elbow. Integrated supply and holder reduces the number of components needed in the shower space, allowing for a cleaner look
- Coordinates with other products in the Artifacts collection

## Material

- Premium metal construction for durability and reliability
- KOHLER finishes resist corrosion and tarnishing

## Installation

- Wall-mount



## Codes/Standards



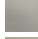
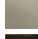


ASME A112.18.1/CSA B125.1

## KOHLER® Faucet Lifetime Limited Warranty

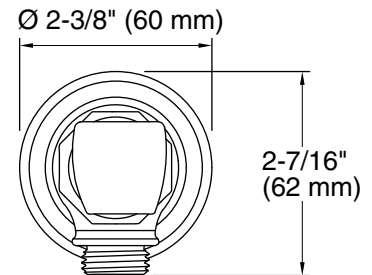
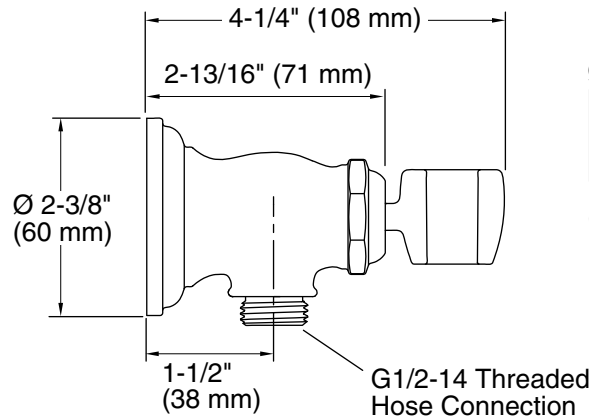
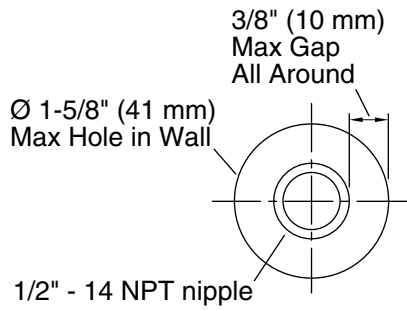
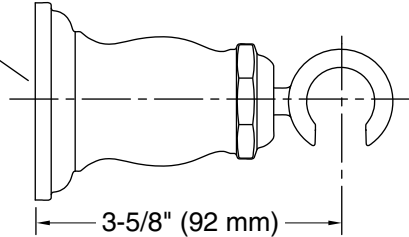
See website for detailed warranty information.

## Available Colors/Finishes

*Color tiles intended for reference only.*

Color	Code	Description
	CP	Polished Chrome
	SN	Vibrant™ Polished Nickel
	BN	Vibrant™ Brushed Nickel
	BV	Vibrant™ Brushed Bronze
	2BZ	Oil-Rubbed Bronze
	2MB	Vibrant™ Brushed Moderne Brass

For NPT connection,  
nipple must extend  
11/16" (17 mm) beyond  
finished wall.



### Technical Information

All product dimensions are nominal.  
Installation Type: Wall-mount  
Material: Metal

### Notes

Install this product according to the installation guide.  
Installs using a 1/2"-14 NPT nipple (not supplied).